

# PURSE/BAG POLICY

In an effort to enhance public safety and the fan experience, we have implemented the use of metal detectors and follow policy limiting the size and style of bags allowed in the venue.

Go to [utatix.com/policies](http://utatix.com/policies) for the full list of prohibited items and other venue information.

## PROHIBITED BAGS

Prohibited items include, but are not limited to:

- All purses, bags or containers larger than a small clutch bag
- Backpacks
- Binocular case (binoculars may be worn around the neck)
- Briefcases
- Camera bags
- Cinch bags
- Computer bags
- Coolers
- Large Diaper bags
- Luggage of any kind
- Seat cushions



Backpack



Purse



Diaper Bag



Printed Pattern Plastic Bag



Camera Bag

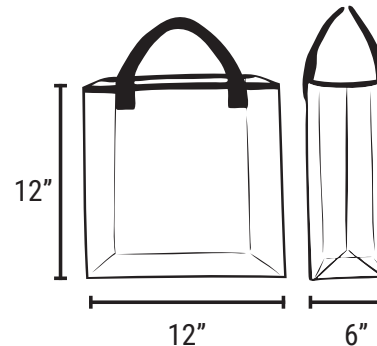


Cinch Bag

## APPROVED BAGS

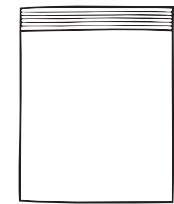
### CLEAR TOTE BAG

Plastic, Vinyl or PVC and do not exceed 12" x 6" x 12"



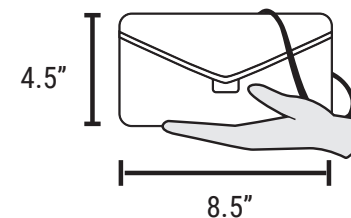
### PLASTIC STORAGE BAG

Clear, one (1) gallon, re-sealable



### SMALL CLUTCH PURSE

Approximately the size of a hand with or without a handle or strap. No larger than 4.5" x 8.5" with or without a handle or strap. Can be carried separately or within an approved plastic bag.



\*An exception will be made for medically necessary items and small diaper bags (with an accompanying infant/child) after proper inspection at a gate designated for this purpose. Please limit the number of items you bring to the arena on event days.

